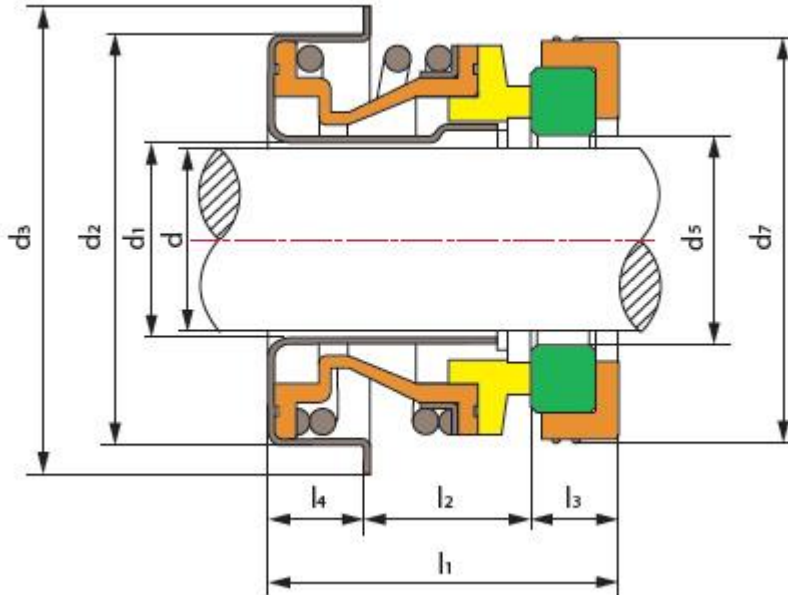


VIN-PROM

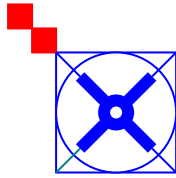
Proizvodnja i servis pumpi za vodu poljoprivrednih i teretnih vozila



Model	d (inches)	d ₁	d ₂	d ₃	d ₅	d ₇	l ₁	l ₂	l ₃	l ₄
TSF-1/2"	12.700	14.2	30	35	13.5	25.4	19.2	5	6.2	8
TSF-5/8"	15.875	18.2	36.5	41.5	17.5	31.75	25	6.7	10.3	8
TSF-3/4"	19.050	21.2	40	43.8	20	34.925	25.8	5.5	10.3	10
TSF-1"	25.400	26.4	47	51	27	41.275	29	5.9	11.1	12
Model	d (mm)	d ₁	d ₂	d ₃	d ₅	d ₇	l ₁	l ₂	l ₃	l ₄
TSF-10	10	11	24	29	12	23	17	6	4	7
TSF-12S	12	14.2	28.57	32	14	25	18.2	5.2	5	8
TSF-12M	12	14.2	30	35	15	24/23	18	5	5	8
TSF-12L	12	14.2	33.3	38	14	25	18	6.3	5	6.7
TSF-16	16	18.2	36.5	41.5	18	31	19.8	6.8	5	8
TSF-16L	16	18.2	38.1	43.5	18	31	19.8	6	5	8.8
TSF-16LD	16	18.2	38.1	43.5	18	31	19.8	6	5	8.8
TSF-20S	20	21.2	38	43.8	21	35	20.5	5.5	5	10
TSF-20	20	21.2	40	43.8	21	35	20.5	5.5	5	10
TSF-25S	25	26.4	46	51	26	44	25	8	7	10
TSF-25	25	26.4	47	51	26	44	25	6	7	12
TSF-25L	25	26.4	52	57	27	48	25	6	7	12
TSF-30	30	31	52	57	32	48	27	8	8	11

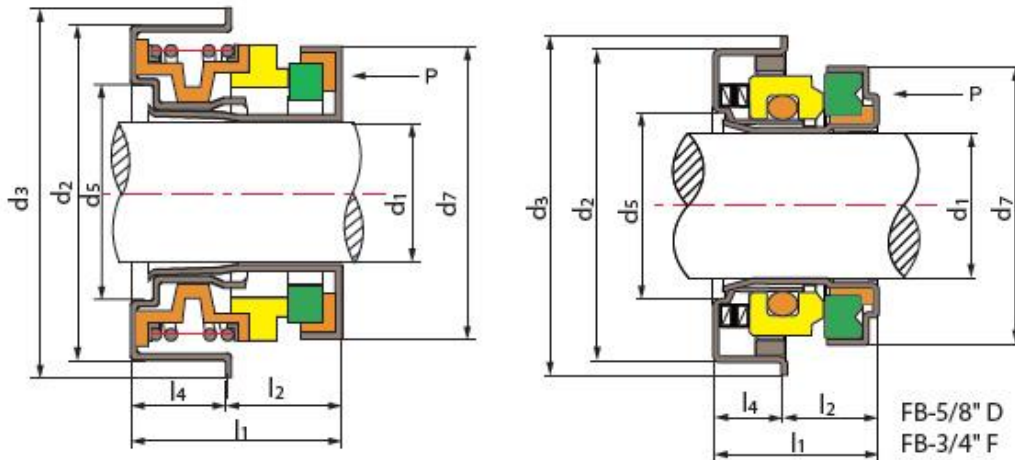
ROBA NA ZALIHII!!!

A.Cesarca 30, 10370 Gračec – D. Selo
 Tel: 01/2757-009, 01/2757-372, fax:01/2757-153, mob:091/515-05-92

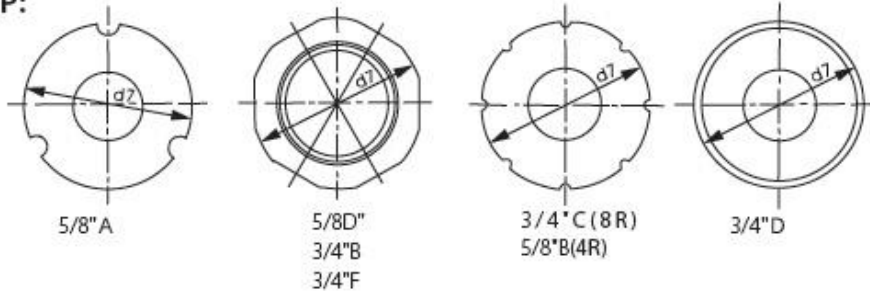


VIN-PROM

Proizvodnja i servis pumpi za vodu poljoprivrednih i teretnih vozila



View P:

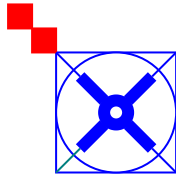


Model	d ₁ (mm)	d ₂	d ₃	d ₅	d ₇	l ₁	l ₂	l ₄
TSFB-16 E	16	36.5	41.5	22.5	28	20.5	12	8.5
Model	d ₁ (inches)	d ₂	d ₃	d ₅	d ₇	l ₁	l ₂	l ₄
TSFB-1/2"S	12.7	28.57	32	18.5	25	17.5	9.5	8
TSFB-1/2"M	12.7	30	35	18.5	25	17.5	9.5	8
TSFB-5/8"	15.875	36.5	41.5	22.5	30.5	20.5	12	8.5
TSFB-3/4"	19	40	43.8	26.5	37	22	12.5	9.5
TSFB-5/8"A	15.875	36.5	41.5	22	29	20	11.5	8.5
TSFB-5/8"B	15.875	36.5	41.8	22	28	21	12.5	8.5
TSFB-5/8"D	15.875	36.5	41	20.8	32	20	11	9
TSFB-3/4"B	19.05	40	43.8	23	35.8	22	12.8	9.2
TSFB-3/4"C	19.05	40	43.8	23	34	22	12.8	9.2
TSFB-3/4"D	19.05	40	44	22	36.5	19.5	10.9	8.6
TSFB-3/4"F	19.05	40	43.8	24.2	36	20	11.1	8.9
TSFB-1"A	25.4	50.8	55.6	30.2	42.3	28	15.2	12.8

ROBA NA ZALIHII!!!

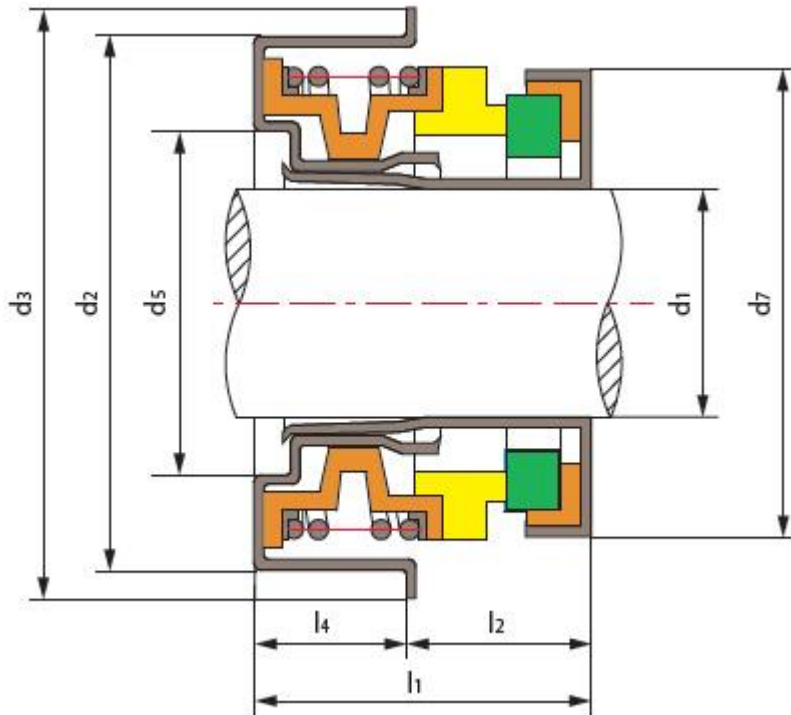
A.Cesarca 30, 10370 Gračec – D. Selo

Tel: 01/2757-009, 01/2757-372, fax:01/2757-153, mob:091/515-05-92



VIN-PROM

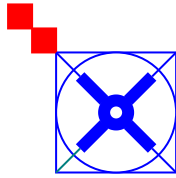
Proizvodnja i servis pumpi za vodu poljoprivrednih i teretnih vozila



Model	d ₁ (mm)	d ₂	d ₃	d ₅	d ₇	l ₁	l ₂	l ₄
TSFB-12S	12	28.57	32	18.5	25/26	18.2	10.2	8
TSFB-12M	12	30	35	18.5	25/26	18.2	10.2	8
TSFB-12L	12	33.3	38	18.5	25/26	18.2	11.5	6.7
TSFB-13	13	30	35	18.5	25	18	10	8
TSFB-15	15	36.5	41.5	22.5	30.5	20.5	12	8.5
TSFB-16	16	36.5	41.5	22.5	30.5	20.5	12	8.5
TSFB-16B	16	36.5	41.5	22.5	28	20	12	8.5
TSFB-16T	16	36.5	41.5	19.3	31.5	20.5	11.5	9
TSFB-16L	16	38.1	43.5	22.5	30.5	20.5	11.7	8.8
TSFB-16LD	16	38.1	43.5	22.5	28.5	20.5	11.7	8.8
TSFB-20	20	38/40	43.8	26.5	37	22	12.5	9.5
TSFB-20T	20	40	43.8	28	37	22	12.5	9.5

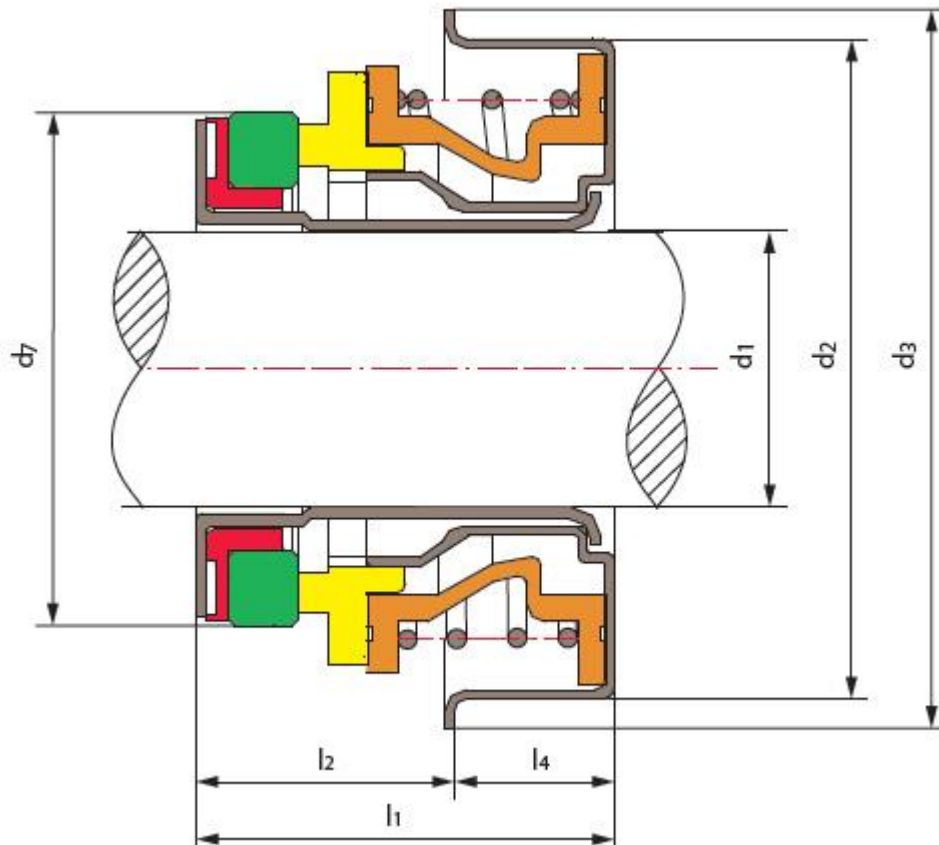
ROBA NA ZALIH!!!!

A.Cesarca 30, 10370 Gračec – D. Selo
 Tel: 01/2757-009, 01/2757-372, fax:01/2757-153, mob:091/515-05-92



VIN-PROM

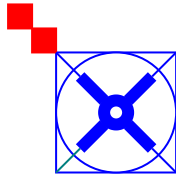
Proizvodnja i servis pumpi za vodu poljoprivrednih i teretnih vozila



Model	d_1 (mm)	d_2	d_3	d_7	l_1	l_2	l_4
TSFBM-12S	12	28.57	32	24	18.5	10.5	8
TSFBM-12M	12	30	35	24	18.5	10.5	8
TSFBM-12L	12	33.4	38	24	18.5	11.8	6.7
TSFBM-16	16	36.5	41.6	26	20.5	12	8.5
TSFBM-16L	16	38.1	43.5	26	20.5	11.7	8.8
TSFBM-16LX	16	39.3	43.6	26	20	11.3	8.7
TSFBM-20	20	40	43.8	29.5	21.5	12	9.5

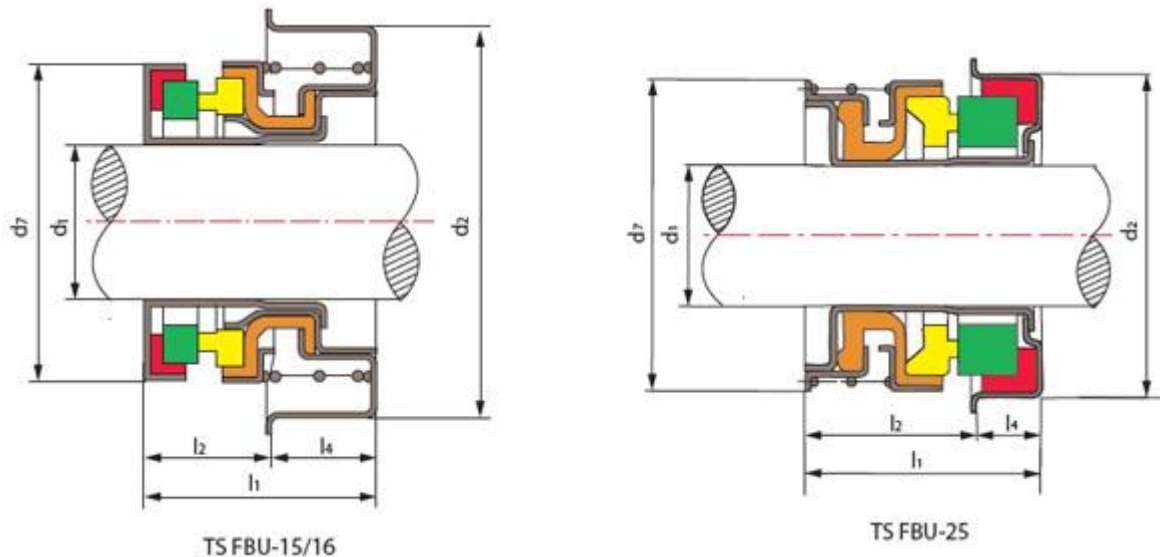
ROBA NA ZALIH!!!

A.Cesarca 30, 10370 Gračec – D. Selo
 Tel: 01/2757-009, 01/2757-372, fax:01/2757-153, mob:091/515-05-92



VIN-PROM

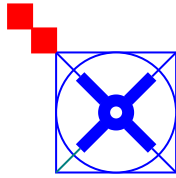
Proizvodnja i servis pumpi za vodu poljoprivrednih i teretnih vozila



Model	d ₁ (mm)	d ₂	d ₇	l ₁	l ₂	l ₄
TSFBU-15	15	36.5	32.5	20.8	11.3	9.5
TSFBU-16S	16	36.5	28/28.5	21	11.5	9.5
TSFBU-16L	16	36.5	32.5	20.8	11.3	9.5
TSFBU-25	25	41.3	40.8	30	21.2	8.8

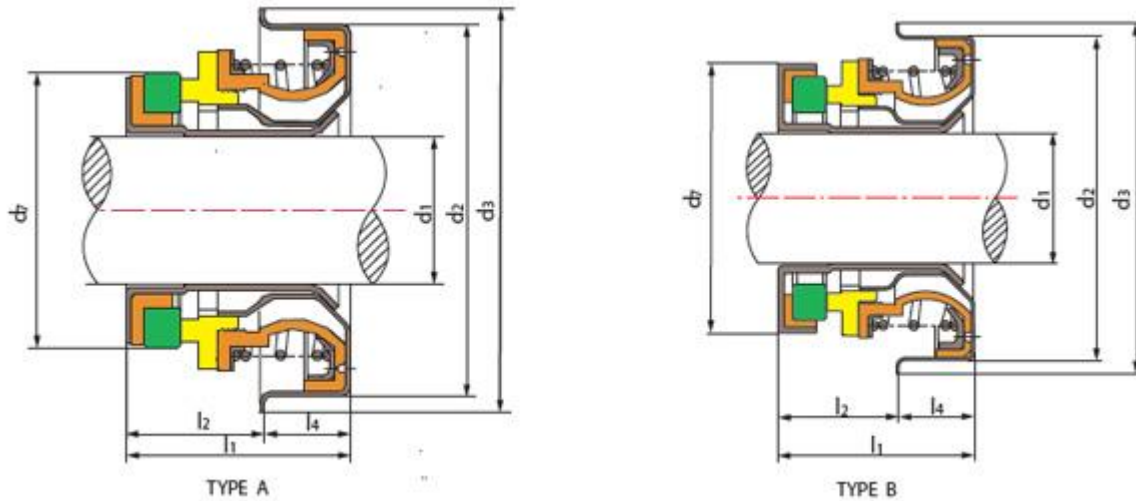
ROBA NA ZALIHII!!!

A.Cesarca 30, 10370 Gračec – D. Selo
 Tel: 01/2757-009, 01/2757-372, fax:01/2757-153, mob:091/515-05-92



VIN-PROM

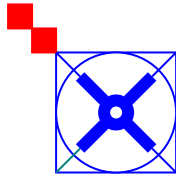
Proizvodnja i servis pumpi za vodu poljoprivrednih i teretnih vozila



Model	d1 (mm)	d2	d3	d7	l2	l4	TYPE
TSFBW-10	10	30	35	23.5	13	8	B
TSFBW-12C	12	30	35	28.5	14.7	7	B
TSFBW-12M	12	30	35	24	20	8	A
TSFBW-15	15	36.5	41	29	19.9	8	A
TSFBW-15A	15	36.5	41	32.5	19.3	8	B
TSFBW-16	16	36.5	41	29	19.9	8	A
TSFBW-16B	16	36.5	41	32.5	19.4	8.2	B
TSFBW-16C	16	36.5	41	30.5	20.1	8.7	B
TSFBW-16L	16	38.1	43.6	29	19.8	8.5	A
TSFBW-20	20	40	43.8	34	20	9.5	A
Model	d1 (inches)	d2	d3	d7	l2	l4	TYPE
TSFBW-1/2"A	12.7	30	35	28.5	14.7	7	B
TSFBW-1/2"C	12.7	30	35	24.8	17.5	9.5	B

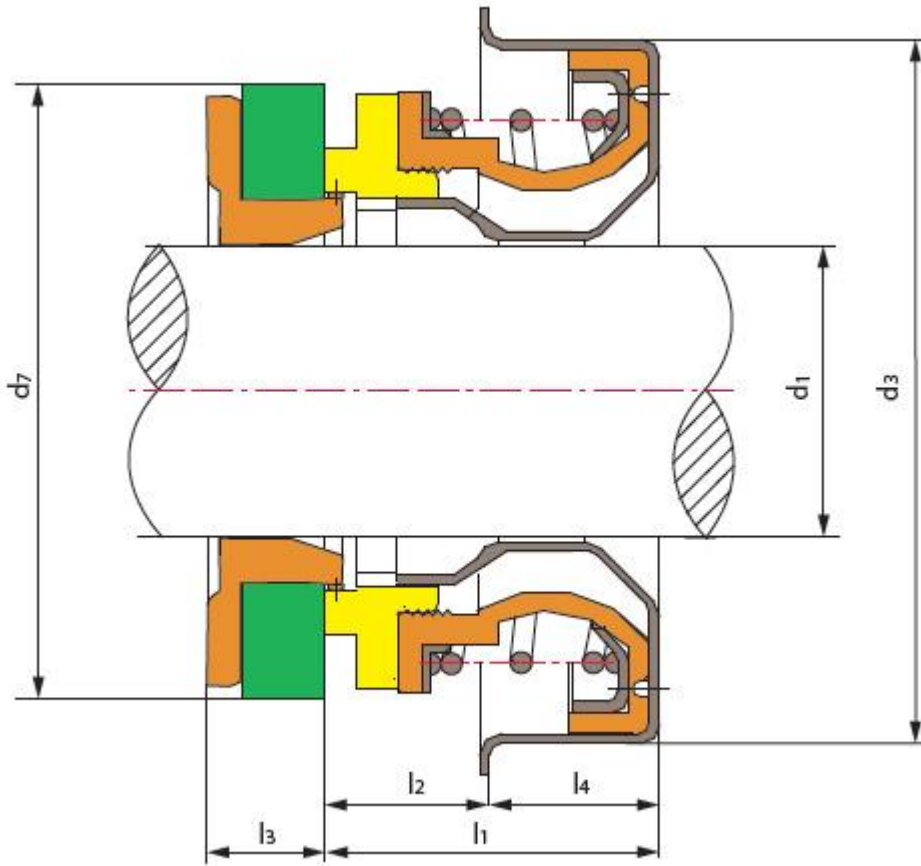
ROBA NA ZALIH!!!

A.Cesarca 30, 10370 Gračec – D. Selo
 Tel: 01/2757-009, 01/2757-372, fax: 01/2757-153, mob: 091/515-05-92



VIN-PROM

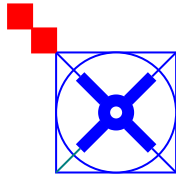
Proizvodnja i servis pumpi za vodu poljoprivrednih i teretnih vozila



Model	d ₁ (mm)	d ₃	d ₇	l ₁	l ₂	l ₃	l ₄
TSFW-12	12	30	24	14.5	6.5	5	8
TSFW-15	15	36.5	28.4	15.7	7.7	5	8
TSFW-16	16	36.5	28.4	15.7	7.7	5	8
TSFW-16L	16	38.1	28.4	15.7	7	5	8.7
TSFW-19	19	40	34	17.5	6.5	6	11
TSFW-20	20	40	34	17.5	6.5	6	11

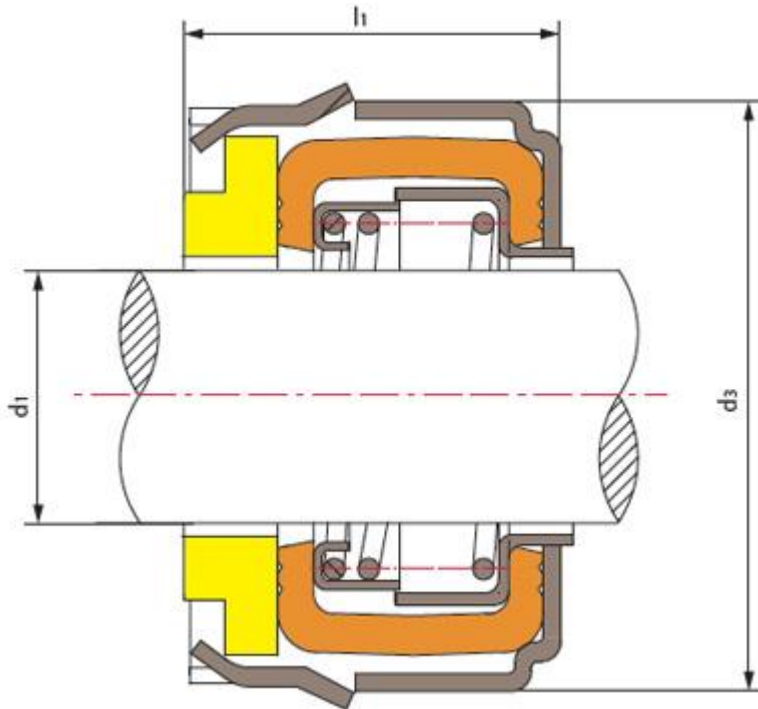
ROBA NA ZALIH!!!

A.Cesarca 30, 10370 Gračec – D. Selo
 Tel: 01/2757-009, 01/2757-372, fax:01/2757-153, mob:091/515-05-92



VIN-PROM

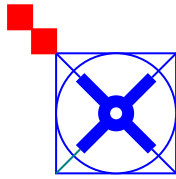
Proizvodnja i servis pumpi za vodu poljoprivrednih i teretnih vozila



Model	d_1 (mm)	d_3	l_1
TST-08	16	36.5	16.5
TST-08S	16	33.4	14.5
TST-04	20	43	18
TST04H	20	40.8	22.5
TST-02S	25	51	25.5
TST-02M	25	52	23
TST-02L	25	52.5/52.0	27

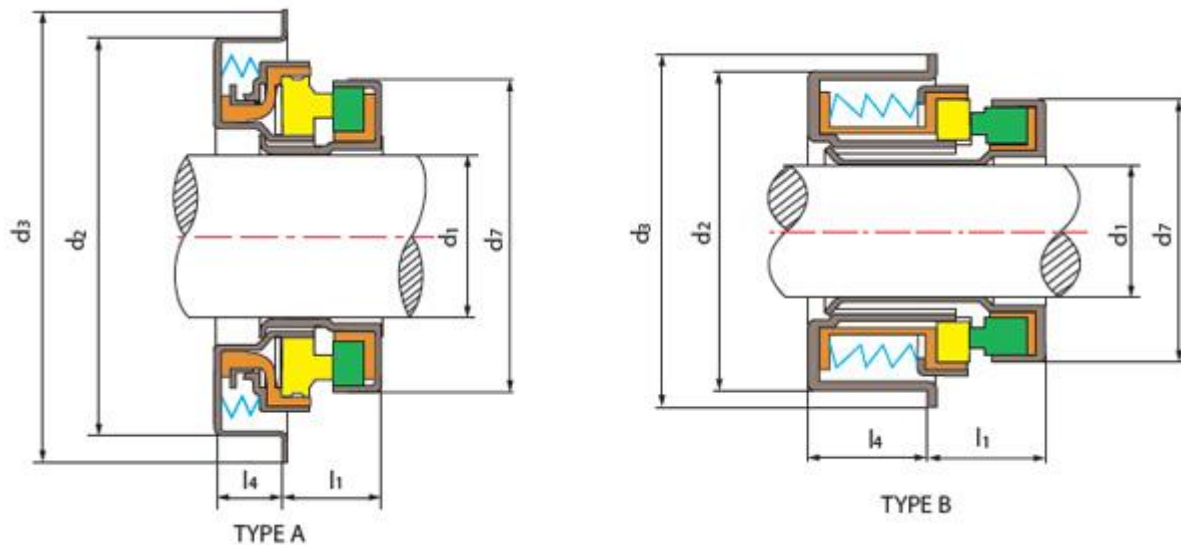
ROBA NA ZALIHI!!!

A.Cesarca 30, 10370 Gračec – D. Selo
 Tel: 01/2757-009, 01/2757-372, fax:01/2757-153, mob:091/515-05-92



VIN-PROM

Proizvodnja i servis pumpi za vodu poljoprivrednih i teretnih vozila



Model	d ₁ (mm)	d ₂	d ₃	d ₇	l ₁	L ₄	TYPE
TSFBSH-12	12	30	34	23	7.5	5.5	A
TSFBSH-12A	12	30	34	25.2	7.5	5.5	A
TSFBSH-12B/12D	12	30	34	24.5	7.5	5.5	B
Model	d ₁ (inches)	d ₂	d ₃	d ₇	l ₁	L ₄	TYPE
TSFBSH-1/2"	12.7	30	34	24.5	7.5	5.5	B

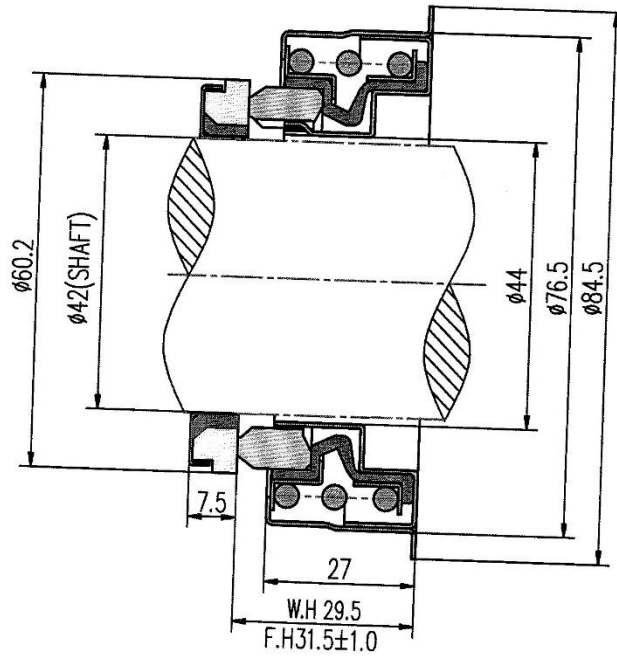
ROBA NA ZALIH!!!!

A.Cesarca 30, 10370 Gračec – D. Selo
 Tel: 01/2757-009, 01/2757-372, fax:01/2757-153, mob:091/515-05-92

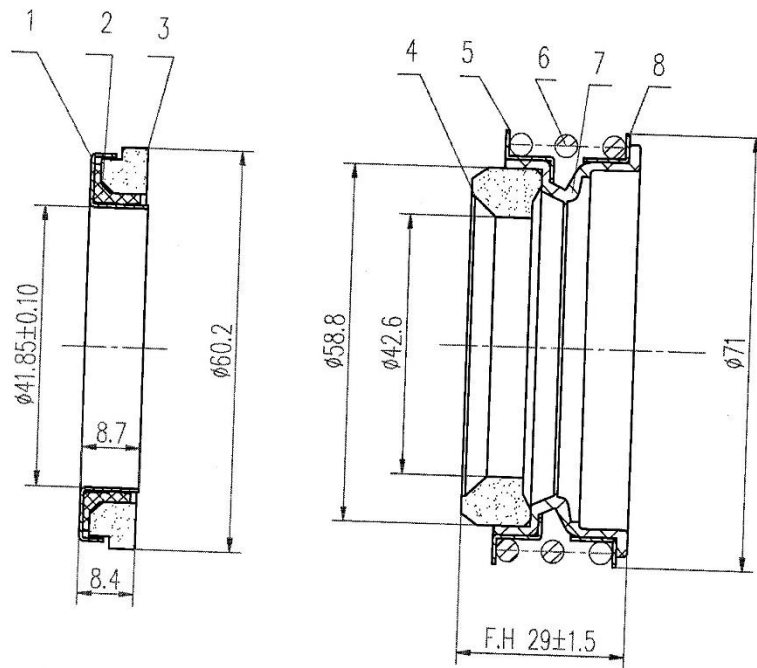
TS UM

技术参数
 压力 $\leq 1.0\text{MPa}$
 线速度 $\leq 15\text{m/s}$
 温度: $-30^{\circ}\text{C} \sim +180^{\circ}\text{C}$

OPERATING LIMITS
 Pressure $\leq 1.0\text{MPa}$
 Speed $\leq 15\text{m/s}$
 Temperature: $-30^{\circ}\text{C} \sim +180^{\circ}\text{C}$



● 静环 (碳化硅)	Stationary Ring (SiC)
○ 动环 (碳化硅)	Rotary Ring (SiC)
● 辅助密封 (丁腈胶/氟胶/三元乙丙胶)	Secondary Seal (NBR/VITON/EPDM)
● 弹簧及零件 (不锈钢)	Spring & Other Parts (SUS304/SUS316)



Operating Limits
 Pressure ≤ 0.5 MPa
 Speed ≤ 10 m/s
 Temperature $-30^{\circ}\text{C} \sim +150^{\circ}\text{C}$

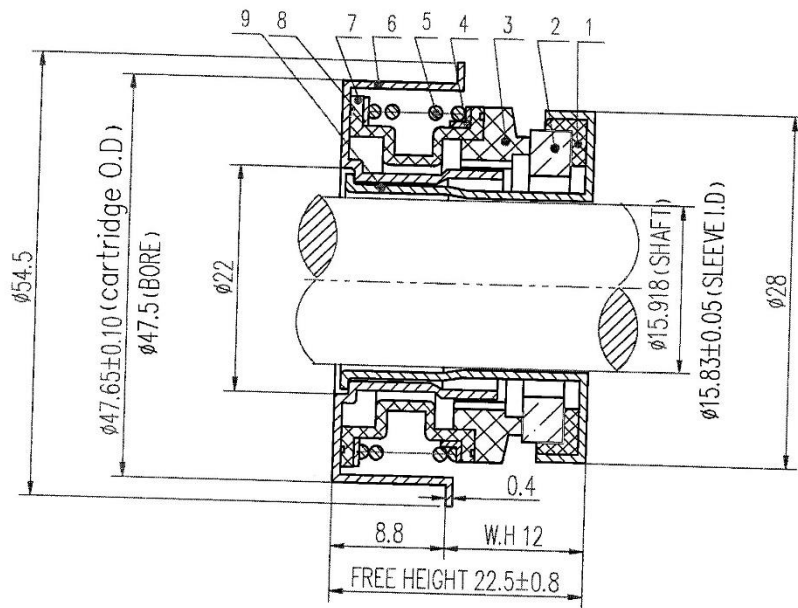
8		Spring Holder	1	SUS304			
7		Bellow	1	EPDM			
6		Spring	1	SUS304			
5		Spring Holder	1	SUS304			
4		Stationary Ring	1	SiC			
3		Rotary Ring	1	SiC			
2		Gasket	1	EPDM			
1		Retainer	1	SUS304			

No.	Code	Name	Title	Qty	Material	Singal Weight	Total Weight	Remark
-----	------	------	-------	-----	----------	---------------	--------------	--------

				Assembly Drawing			Trisun Seal Manufacture Co.,Ltd	
				Drawing Mark			TS U Mechanical Seals	
				S			TS U75-42	
				Total 1 Sheets		First Sheets		

Mark Num	Revised No	Sign	Date
Design		Normalizer	
Corrector		Authorizer	
Assessor		Drawer	
Technologist		Date	

00-16J-00



Operating Limits

Pressure \leq 0.3MPa
 Speed \leq 10 m/s
 Temperature $-20^{\circ}\text{C} \sim +100^{\circ}\text{C}$

9	sleeve	1	SUS304			
8	washer ring	1	SUS304			
7	bellow	1	NBR			
6	cartridge	1	SUS304			
5	spring	1	SUS304			
4	spring holder	1	SUS304			
3	stationary ring	1	carbon			
2	rotary ring	1	ceramic			
1	cup gasket	1	NBR			

No.	Code Name	Title	Qty	Material	Single Weight	Total Weight	Remark
-----	-----------	-------	-----	----------	---------------	--------------	--------

Assembly Drawing

Trisun Seal Manufacture Co.,Ltd

TSFB Mechanical Seals

TSFB-16J-00

Mark Num	Revised No	Sign	Date
Design	YRX	Normalizer	
Corrector		Authorizer	
Assessor		Drawer	
Technologist		Date	13.6.7

Drawing Mark	Weight	Scale
S		
Total 1 Sheets	First Sheets	

A4
REV 1

16U38M2AE



AVONSEALS PVT. LTD. CHENNAI- 58

REMOVE ALL BURRS
SHARP CORNERS AND
PROCESSING RESIDUE.

AMENDMENT
NO.1
A
SLEEVE BORE DIA WAS
15.76& FLANGE O.D WAS
43.2MM

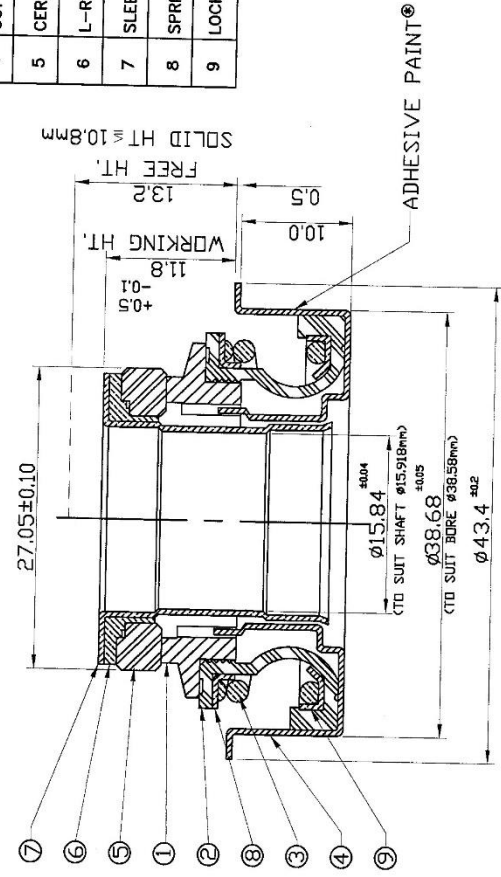
10.07.09
AMENDMENT
NO.2
B

AMENDMENT
NO.
C

AMENDMENT
NO.
D

THIS DRAWING IS THE
PROPERTY OF
AVONSEALS PVT. LTD
CHENNAI - 58
AND IS SUBMITTED AS
CONFIDENTIAL
INFORMATION IN
CONNECTION WITH OUR
ENQUIRY, ORDER OR
CONTRACTOR. IT IS NOT
TO BE COPIED OR USED
FOR MANUFACTURING
PURPOSES WITHOUT OUR
AUTHORITY IN WRITING.
DATE :- 25.06.08

DRAWING NOT
TO BE SCALED
IF IN DOUBT ASK.



S.No	DESCRIPTION	PART No.	MATERIAL	QTY
1	CARBON SEAL FACE	U1631	RESIN BONDED CARBON	1
2	BELLOW	U1632	N.B.R.	1
3	SPRING	V1613	S.S.	1
4	CUP	U1686	S.S.(with Blue PU coated)	1
5	CERAMIC SEAL FACE	U1627 (W)	CERAMIC	1
6	L-RING	U1618	N.B.R.	1
7	SLEEVE	U1629	S.S.304	1
8	SPRING RETAINER	F1904	S.S.304	1
9	LOCK WASHER	U1605	S.S.304	1

NOTE: LOAD AT WORKING HT.OF 11.8mm IS 3.0±0.75Kg
 © IF SPECIFIED BY THE CUSTOMER

DRAWN	G.K	DATE:	10.07.09
CHECKED	V.R.K	DATE:	10.07.09
PASSED	A.N.G	DATE:	10.07.09

TITLE
MECHANICAL SEAL

PART No. & IDEN. MARK TO APPEAR ON COMPONENTS WHEREVER POSSIBLE.	
MATL. AS ABOVE	PART NO. 16U38M2AE
NO.OFF CUSTOMER	REV 1